



Winbond
Bus Termination Regulator
W83310DS-A/W83310DG-A

W83310DS-A/W83310DG-A



W83310DS-A/W83310DG-A

Datasheet Revision History

	PAGES	DATES	VERSION	VERSION ON WEB	MAIN CONTENTS
1		1/17/2006	0.5	N.A.	First released
2					
3					
4					
5					
6					
7					
8					

Please note that all data and specifications are subject to change without notice. All the trademarks of products and companies mentioned in this datasheet belong to their respective owners.

LIFE SUPPORT APPLICATIONS

These products are not designed for use in life support appliances, devices, or systems where malfunction of these products can reasonably be expected to result in personal injury. Winbond customers using or selling these products for use in such applications do so at their own risk and agree to fully indemnify Winbond for any damages resulting from such improper use or sales.

W83310DS-A/W83310DG-A



Table of Contents-

1.	GENERAL DESCRIPTION	1
2.	FEATURES	1
3.	APPLICATIONS	1
4.	PIN CONFIGURATION AND DESCRIPTION	2
5.	APPLICATION CIRCUIT	3
6.	INTERNAL BLOCK DIAGRAM	4
7.	ELECTRICAL CHARACTERISTICS.....	5
	7.1 AC CHARACTERISTICS.....	5
8.	8. TYPICAL OPERATING WAVEFORM.....	6
9.	PACKAGE DIMENSION	10
10.	THERMAL PERFORMANCE	11
11.	ORDERING INFORMATION	11
12.	HOW TO READ THE TOP MARKING.....	11

W83310DS-A/W83310DG-A



1. GENERAL DESCRIPTION

The W83310DS-A/W83310DG-A is a linear regulator provides a power achieves continuous 2.0Amp bi-directional sinking and driving capability for a high speed bus terminator application. The chip simply implements a stable power supply which tracks half of input power dynamically for bus terminator with a single chip. The W83310DS-A/W83310DG-A is promoted with small footprint 8-SOP 150mil power package. With W83310DS-A/W83310DG-A design, a high integration, high performance, and cost-effective solution are promoted.

2. FEATURES

- Regulates a bi-directional power with driving and sinking capability
- Provides achieve continuous 2.0Amp driving and sinking current
- Power MOSFET integrated
- Low external component count
- Low output voltage offset
- VCNTL Operates with +3.3V & 2.5 V power
- 8-SOP 90mil small power package
- Low cost and easy to use

3. APPLICATIONS

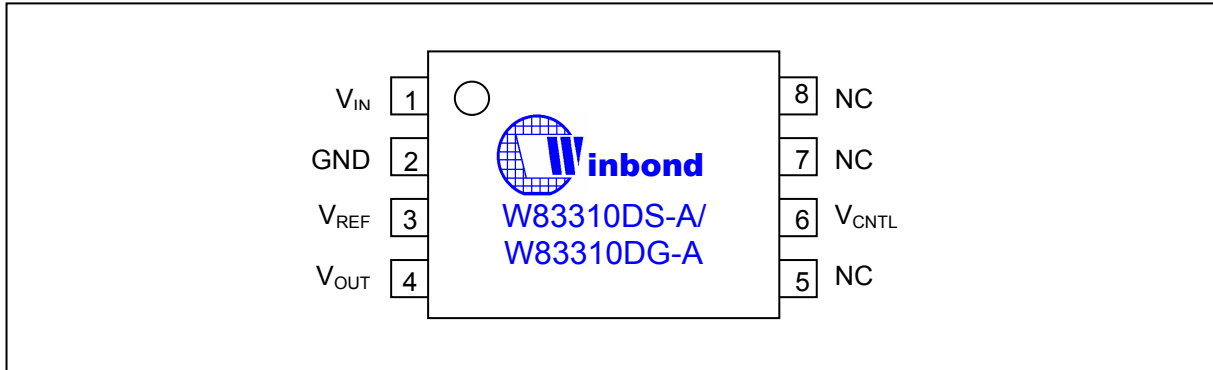
- DDR/DDRII Bus Termination Regulator
- Active Termination Bus
- Intel® Springdale GMCH- V_{TT} Support
- SSTL-2
- SSTL-3

W83310DS-A/W83310DG-A



4. PIN CONFIGURATION AND DESCRIPTION

- W83310DS-A/W83310DG-A



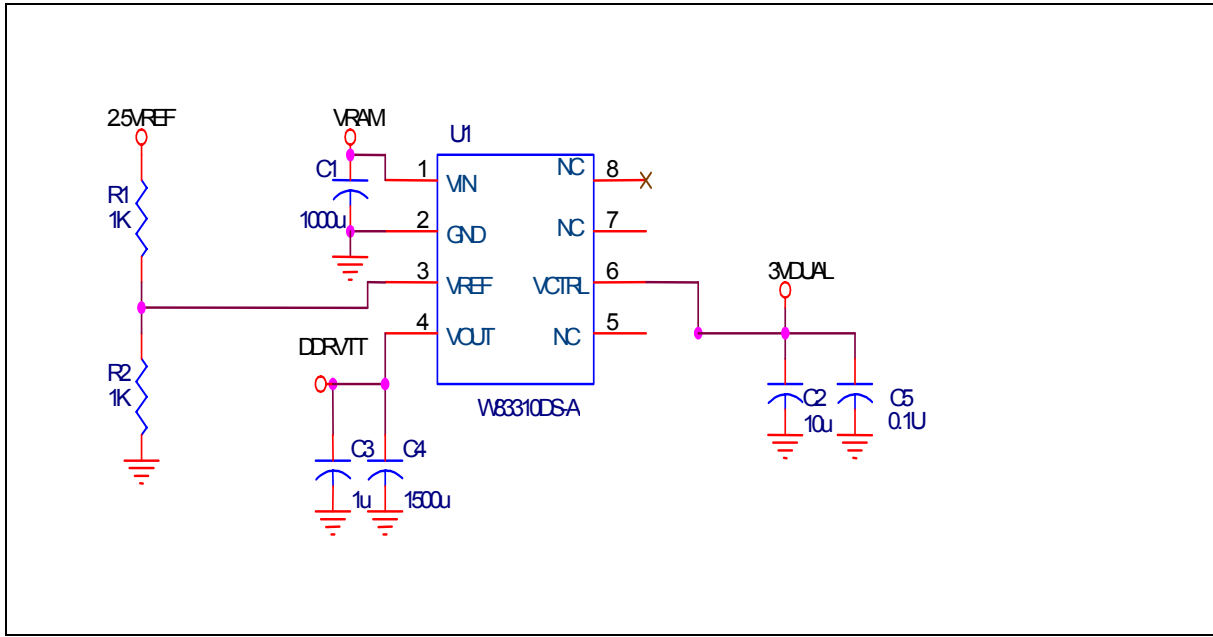
SYMBOL	PIN	FUNCTION
V_{IN}	1	Main power input pin.
GND	2	Power ground.
V_{REF}	3	Internal reference voltage source. Reference voltage on the pin will be referred with the value of pin
V_{OUT}	4	Voltage output pin.
NC	5	
V_{CNTL}	6	Power for internal control logic use
NC	7	
NC	8	

W83310DS-A/W83310DG-A



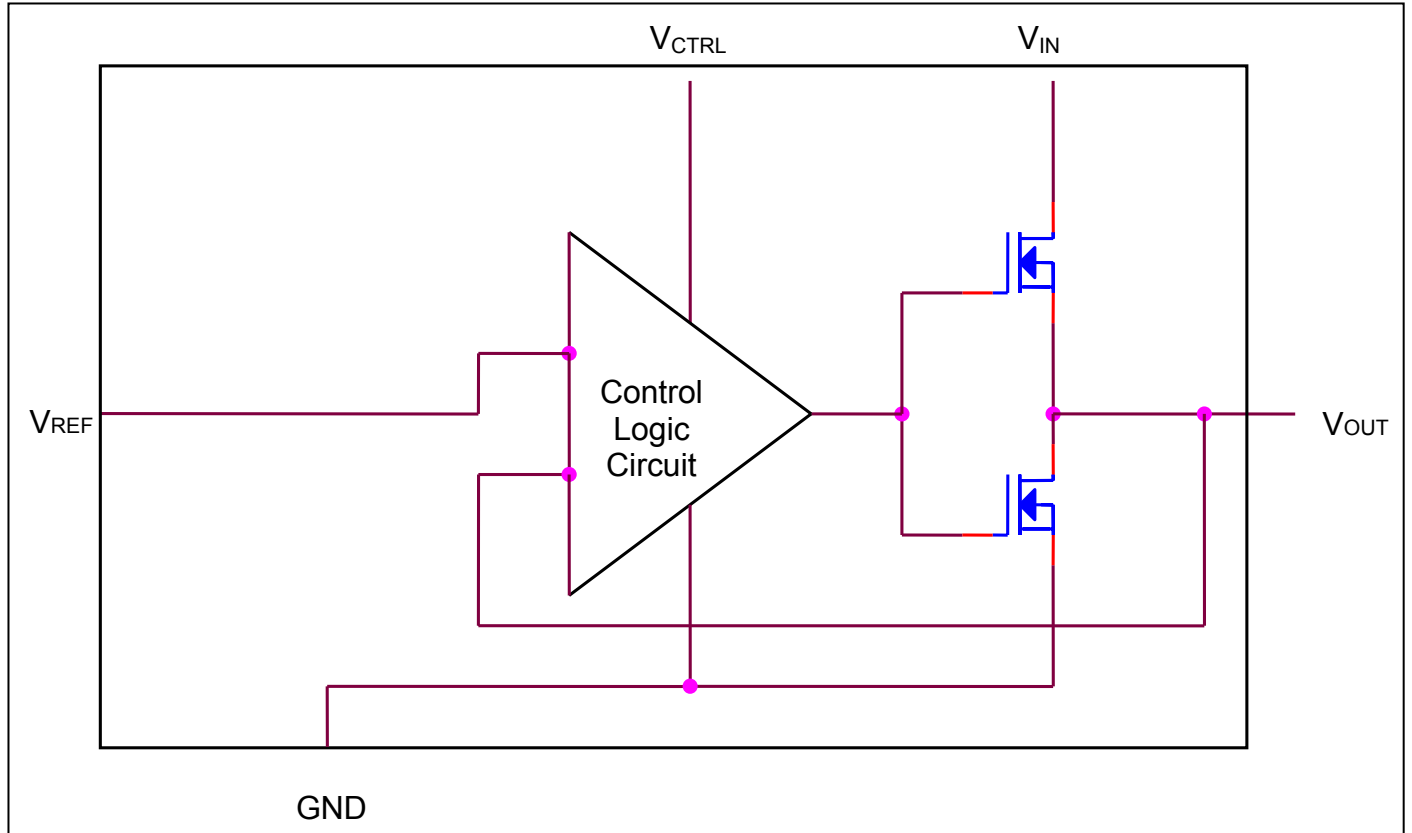
5. APPLICATION CIRCUIT

- W83310DS-A/W83310DG-A for DDR SDRAM Application





6. INTERNAL BLOCK DIAGRAM



W83310DS-A/W83310DG-A



7. ELECTRICAL CHARACTERISTICS

7.1 AC CHARACTERISTICS

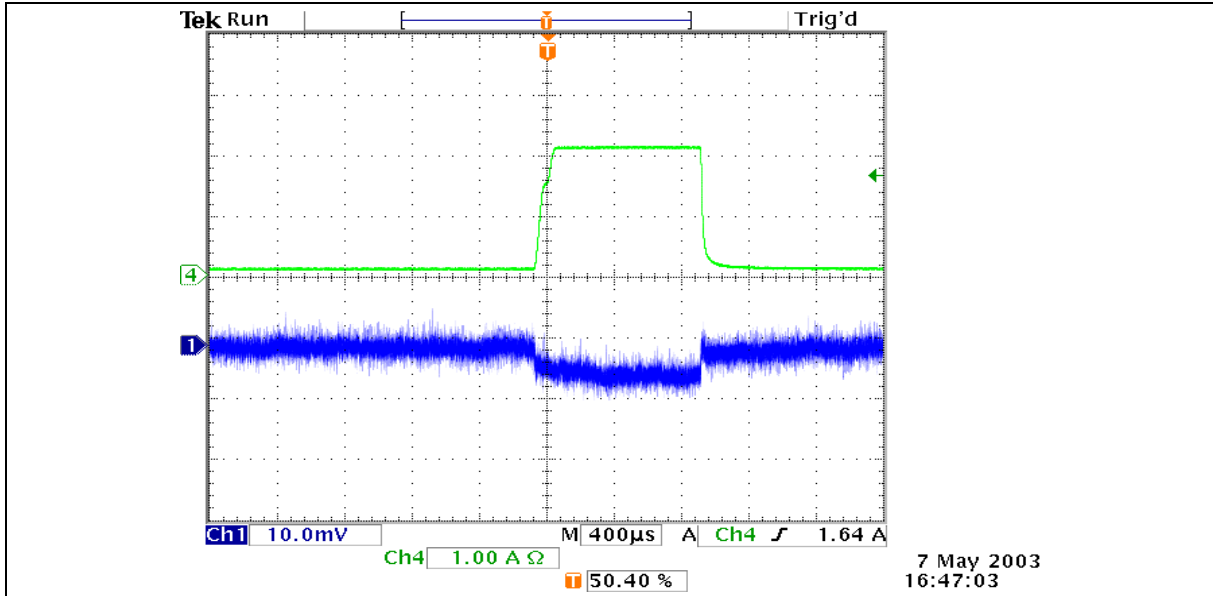
<i>C_{out}</i> =1000uF, <i>T_A</i> = 0 °C to +70 °C						
PARAMETER	SYMBOL	MIN	TYP	MAX	UNITS	TEST CONDITIONS
Output Offset Voltage	V _{os}	-5	0	+5	mV	I _{out} =0A
Load Regulation			0.8		%	Loading: 0A→2.0A
			0.8			Loading: 0A→-2.0A
Input Voltage Range	V _{IN}	1.62		3.63	V	
	V _{CNTL}		3.3	3.63		
Operating Current of V _{CNTL}	I _{CNTL}		0.5	1	mA	No Load(I _{out} =0A)
Short Current Limit	I _{LMT}		4.0		A	

Note: Load regulation is tested by using a 1ms current pulse and V_{OUT} measuring.

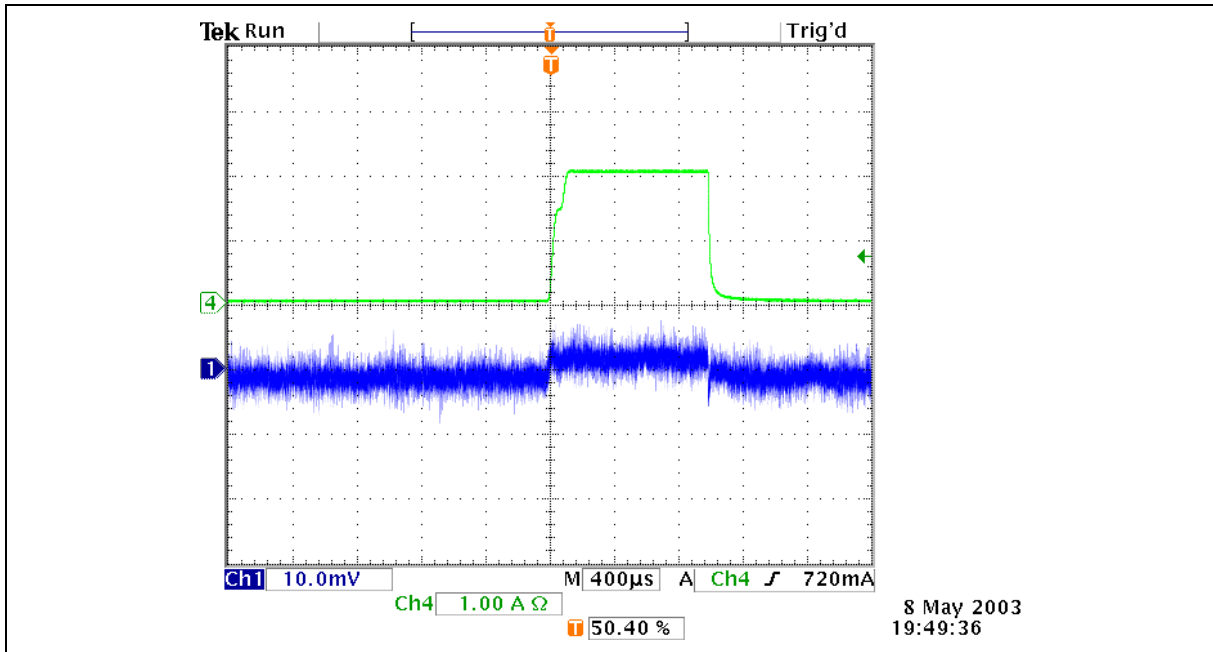


8. TYPICAL OPERATING WAVEFORM

Load regulation with test condition - $V_{CTRL}=3.3V$; $V_{IN}=2.5V$; $V_{OUT}=1.225V$; 2.0Amp pulse driving current.



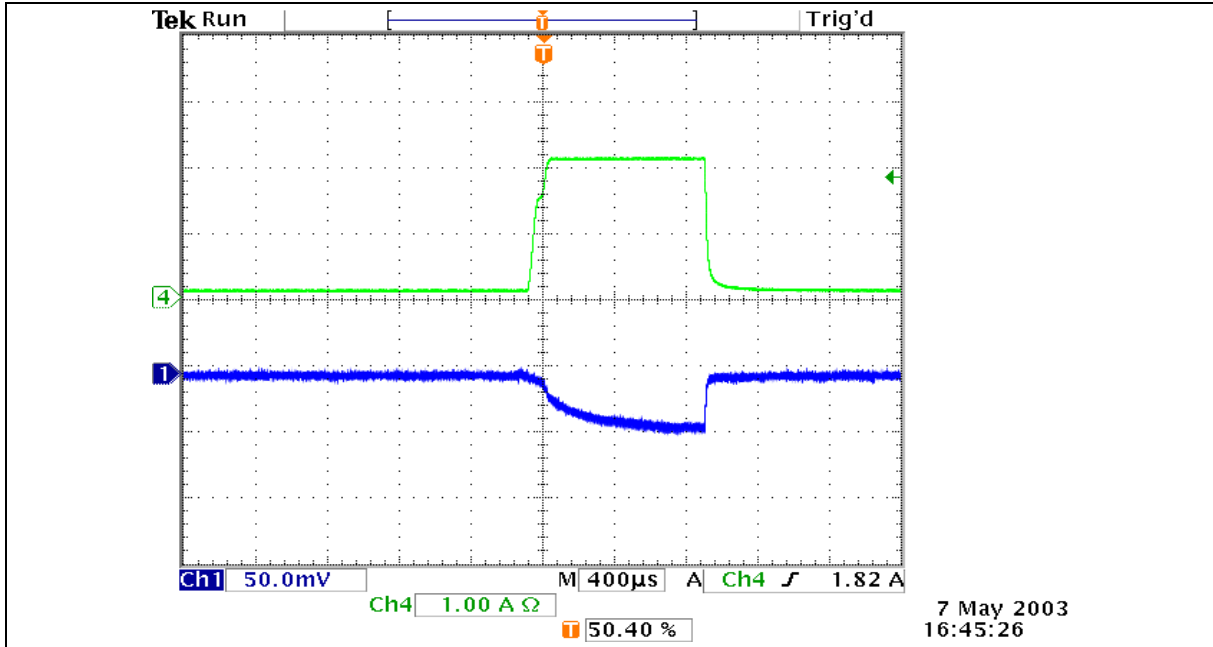
Load regulation with test condition - $V_{CTRL}=3.3V$; $V_{IN}=2.5V$; $V_{OUT}=1.225V$; 2.0Amp pulse sinking current.



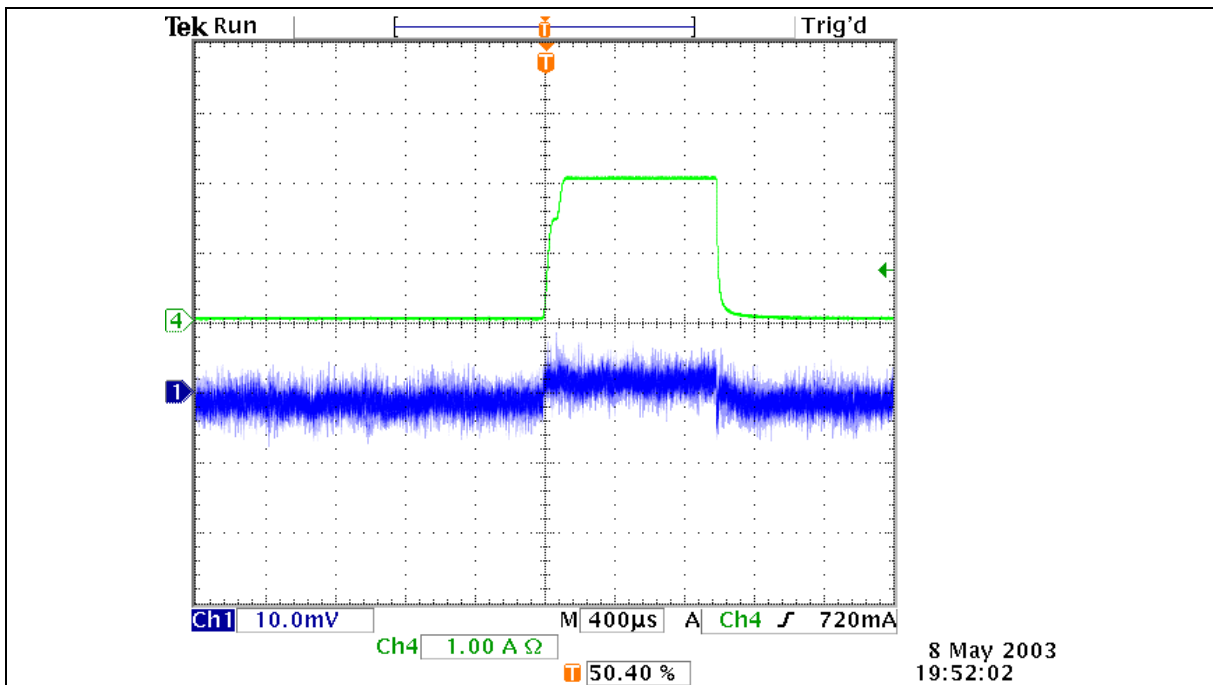
W83310DS-A/W83310DG-A



Load regulation with test condition - $V_{CTRL}=3.3V$; $V_{IN}=2.5V$; $V_{OUT}=1.45V$; 2.0Amp pulse driving current.



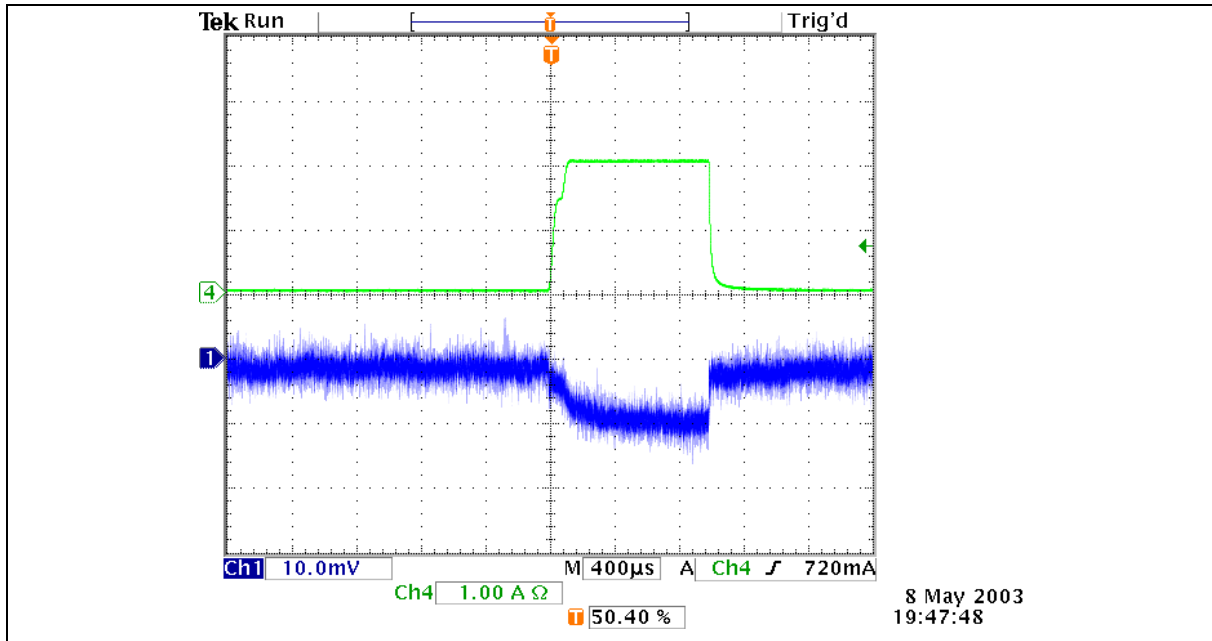
Load regulation with test condition - $V_{CTRL}=3.3V$; $V_{IN}=2.5V$; $V_{OUT}=1.45V$; 2.0Amp pulse sinking current.



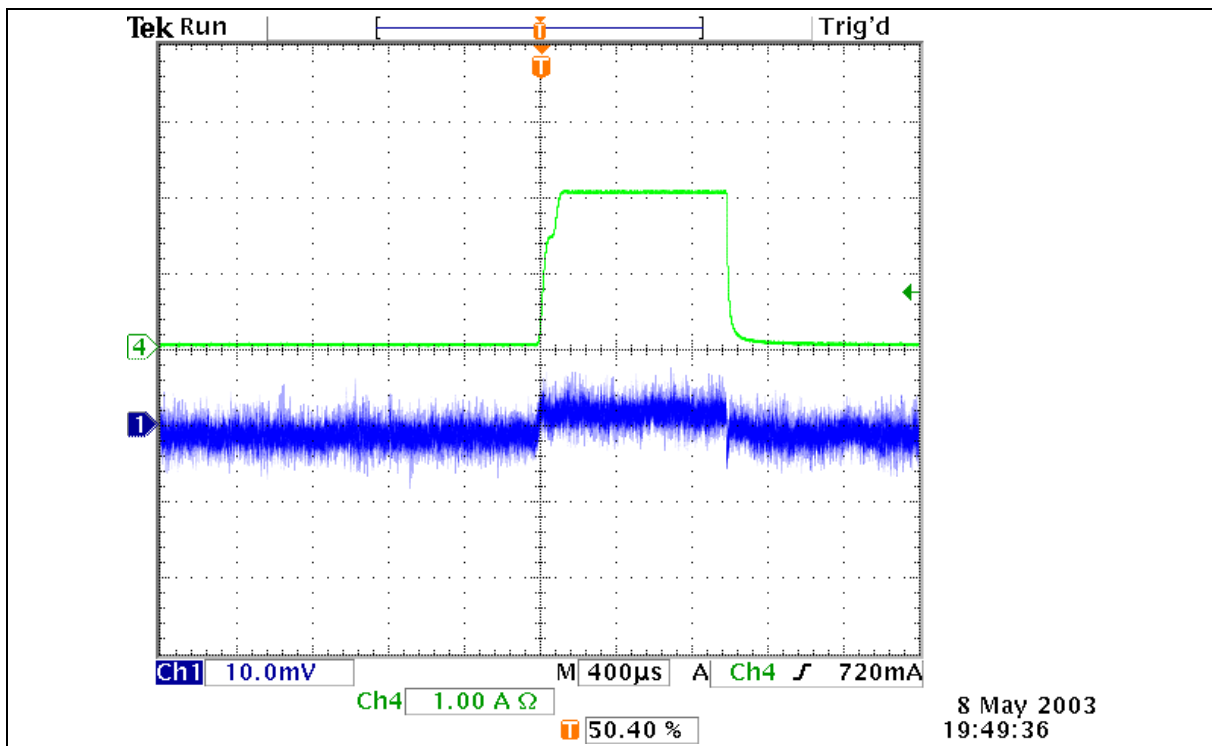
W83310DS-A/W83310DG-A



Load regulation with test condition - $V_{CTRL}=3.3V$; $V_{IN}=2.5V$; $V_{OUT}=1.25V$; 2.0Amp pulse driving current.



Load regulation with test condition - $V_{CTRL}=3.3V$; $V_{IN}=2.5V$; $V_{OUT}=1.25V$; 2.0Amp pulse sinking current.

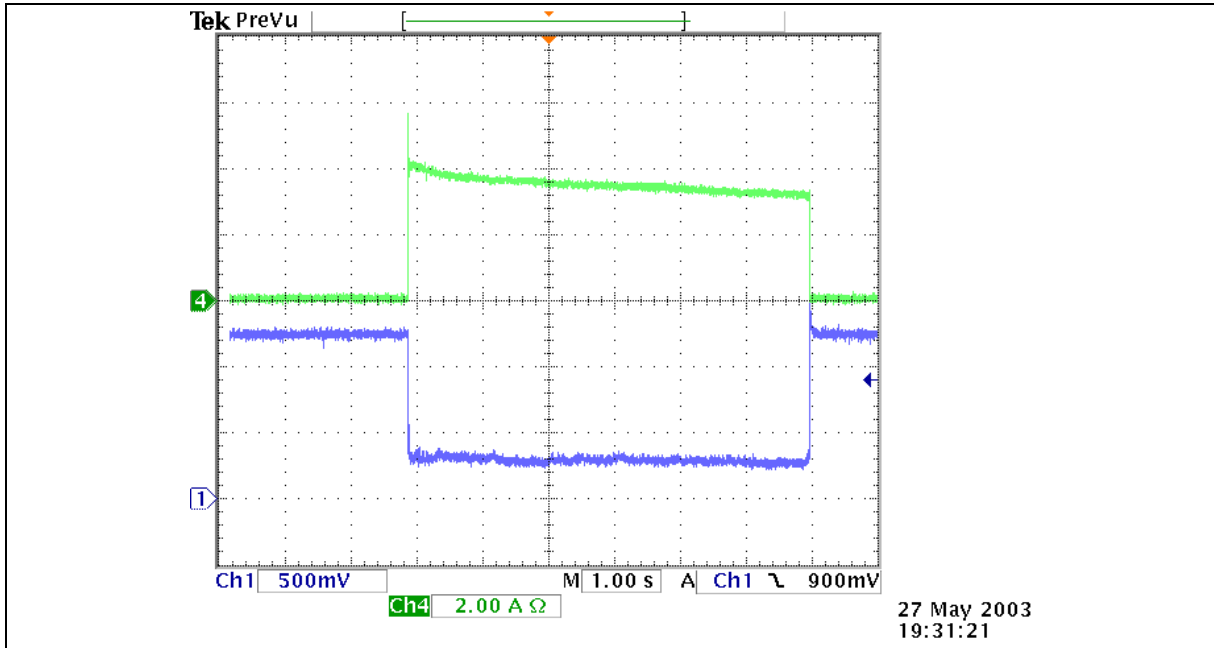


W83310DS-A/W83310DG-A

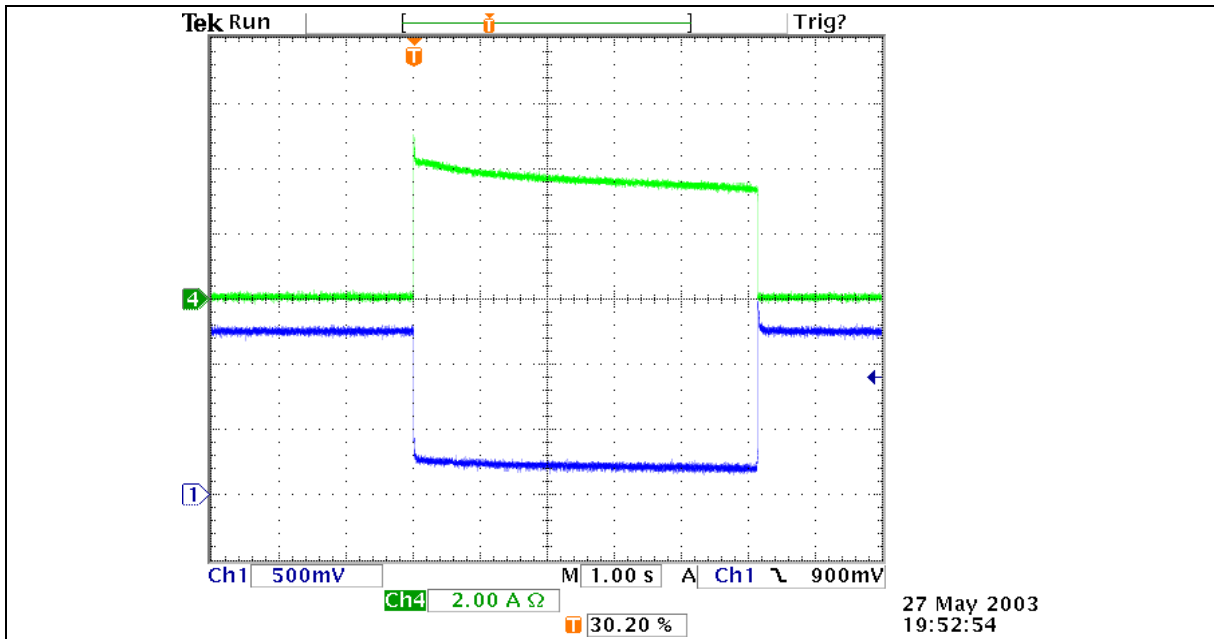


Short Current Limit

- $V_{CTRL} = 3.3V$



- $V_{CTRL} = 3.6V$

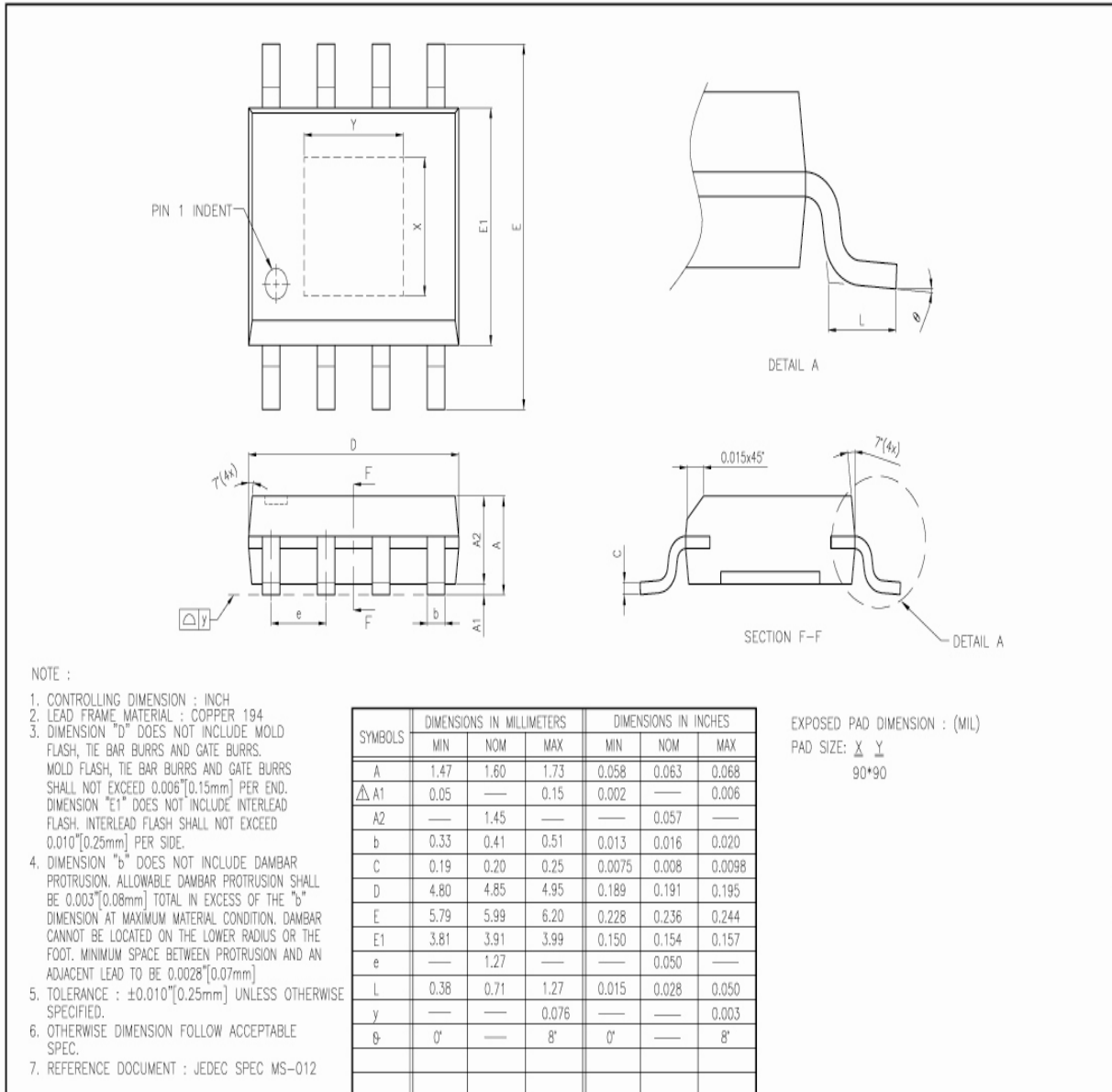


W83310DS-A/W83310DG-A



9. PACKAGE DIMENSION

8L Power SOP 150mil



W83310DS-A/W83310DG-A



10. THERMAL PERFORMANCE

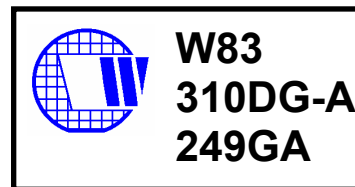
TEST ON FOUR-LAYER (2S2P) JEDEC TEST BOARD							
PACKAGE	POWER (W)	COMPONENT TEMP. (°C)					Θ JC (°C /W)
		PACKAGE	DIE	DOWNSET	LEAD	AMBIENT	
PSOP-8	3.05	100	145	79	78	25	14.7

An area of 190mil*150mil on the top layer is use as a thermal pad for W83310DS and this is connected to the bottom layer by vias. The Θja of the W83310DS mounted on this demo board is about 39 °C /W. Assuming the TA=25 °C and TJ=160 °C, the maximum power dissipation is calculated as: PD(max)=(160-25)/39=3.46W

11. ORDERING INFORMATION

PART NUMBER	PACKAGE TYPE	PRODUCTION FLOW
W83310DS-A	Power SOP-8	
W83310DG-A	Power SOP-8	

12. HOW TO READ THE TOP MARKING



Left line: Winbond logo

1st & 2nd line: W83310DS-A/W83310DG-A – the part number

3rd line: Tracking code 318 G A

318: packages assembled in Year 03', week 18

G: assembly house ID; O means OSE, G means GR, etc.

A: the IC version

W83310DS-A/W83310DG-A



Important Notice

Winbond products are not designed, intended, authorized or warranted for use as components in systems or equipment intended for surgical implantation, atomic energy control instruments, airplane or spaceship instruments, transportation instruments, traffic signal instruments, combustion control instruments, or for other applications intended to support or sustain life. Further more, Winbond products are not intended for applications wherein failure of Winbond products could result or lead to a situation wherein personal injury, death or severe property or environmental damage could occur.

Winbond customers using or selling these products for use in such applications do so at their own risk and agree to fully indemnify Winbond for any damages resulting from such improper use or sales.

Please note that all data and specifications are subject to change without notice.
All the trademarks of products and companies mentioned in this datasheet belong to their respective owners.